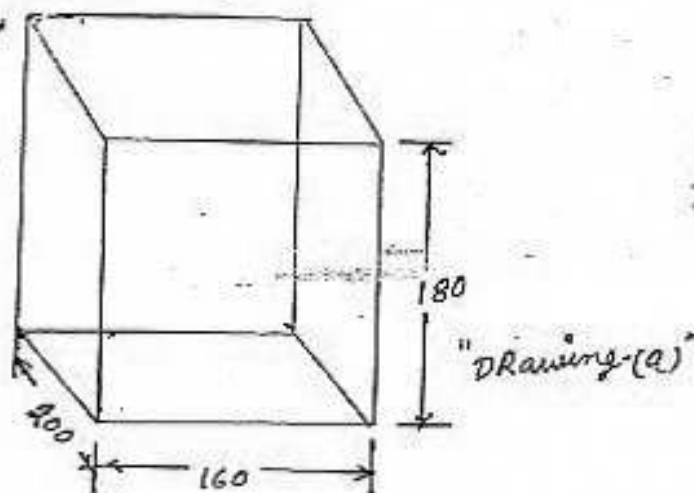
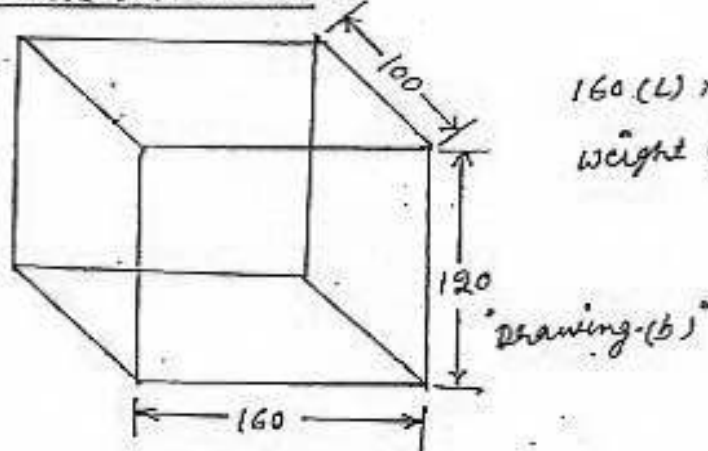


FOR FILTER & DRAIN VALVE [LY, HY & SIDE VALVE BOX]



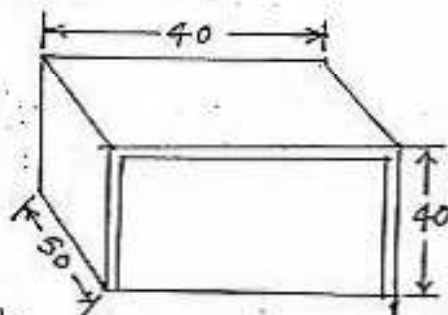
$200(L) \times 160(W) \times 180(H)$
Weight of box - 3.200 kg (Approx.)
Thickness of sheet - 2 mm

FOR CONSERVATOR DRAIN VALVE BOX



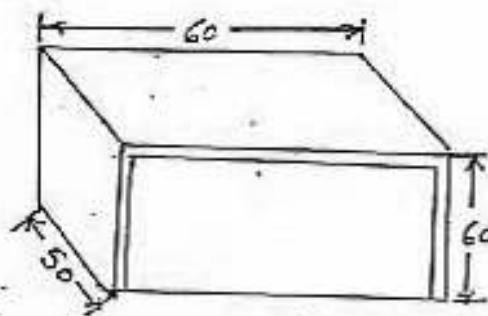
$160(L) \times 100(W) \times 120(H)$ - 2mm thick
Weight of box - 1.460 kg (Approx)

FOR RADIATOR DRAIN PLUG (BOTTOM)



$40(L) \times 50(W) \times 40(H)$ - 2mm thick
Weight of Cap - 120 gms (Approx)

FOR CONSERVATOR CAP



$60(L) \times 50(W) \times 60(H)$
Weight of Cap - 180 gms (Approx)

Handwritten signature or mark.

Handwritten signature or mark.