

APPENDIX - I (A)

NOTE :

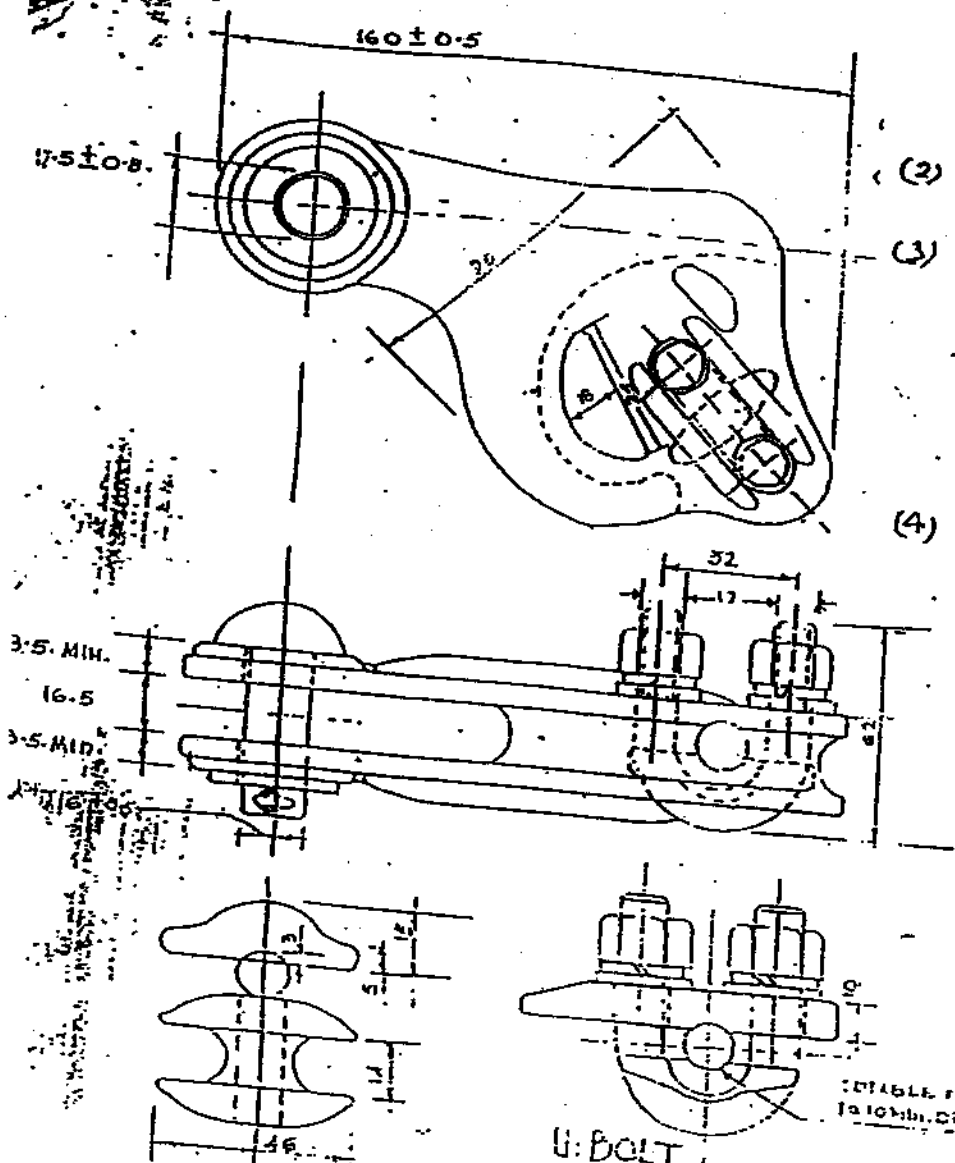
(1) BILL OF MATERIAL AS PER OUR TENDER SPECIFICATION AND G.T.P.

(2) TOLERANCE IN WT. $\pm 5\%$

(3) GENERAL TOLERANCE AS PER IS 2486 (PART I) 1993 TOL. DIMENSIONS UP TO AND INCLUDING 35 MM. ± 0.1

OVER 35 MM. $\pm 2\%$

(4) BREAKING STRENGTH OF THE CLAMP 3000 k



PACKING PIECE

TN - 4310

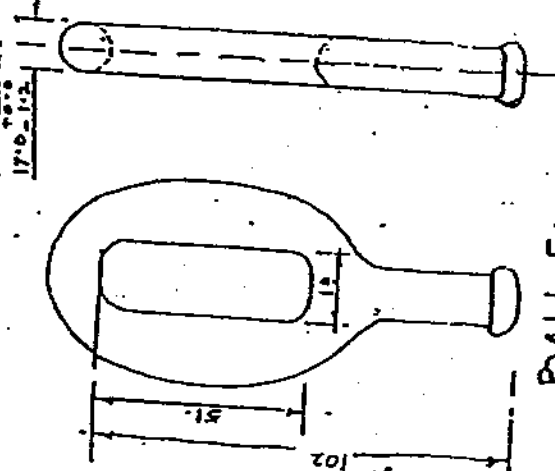
ALL DIMENSIONS ARE IN MM.

U-BOLT

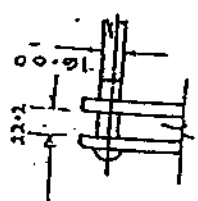
JAI PUR VIDYUT VITRAN NIGAM
MATERIAL MANAGEMENT WING
11KV STRAIN CLAMP OF H/W FITTING
11KV DISC INSULATOR (T & C TYPE)

DRN. BY:-	AEN	SPD-II	SE. (PRG)
DATE:-	SCALE:-	JPD/SECPAU/	
	N.T.S.		

Appendix I
I (B)
T.N. No 4310



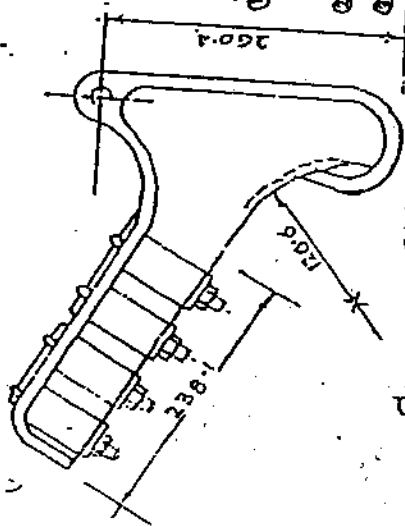
BALL EYE



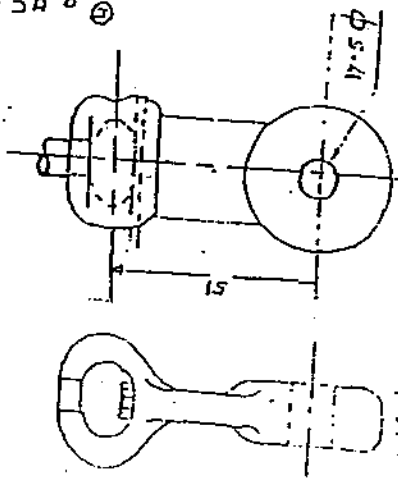
NOTE:-

- 1) BILL OF MATERIAL AS PER OUR TENDER SPECIFICATION AND G.T.P.
- 2) TOLERANCE IN WT ± 5%
- 3) GENERAL TOLERANCE AS PER IS: 2486 (PART-I) 1933.

- ① DIMENSION A UP TO AND INCL. - DIMS 35MM OVER 35MM
- ② TOLERANCE ± 0.7MM ± 2%
- ③ BREAKING STRENGTH OF THE CLAMP - 4500 kg



SOCKET-TONGUE WITHOUT HORN HOLDER



ALL DIMENSIONS ARE IN MM.

JAIPUR VIDYUT VITRAN NIGAM LTD.
(MATERIAL MANAGEMENT WING)
JAIPUR
11 KV. DISC INSULATOR H/W. B & S TYPE

DRN. BY:-	AEN	SPD-III	S.E. (Proc)
DATE:-		JP/DISE Gmrl/SPD-III	
	SCALE:-		
	N.T.S.		

TN-4310

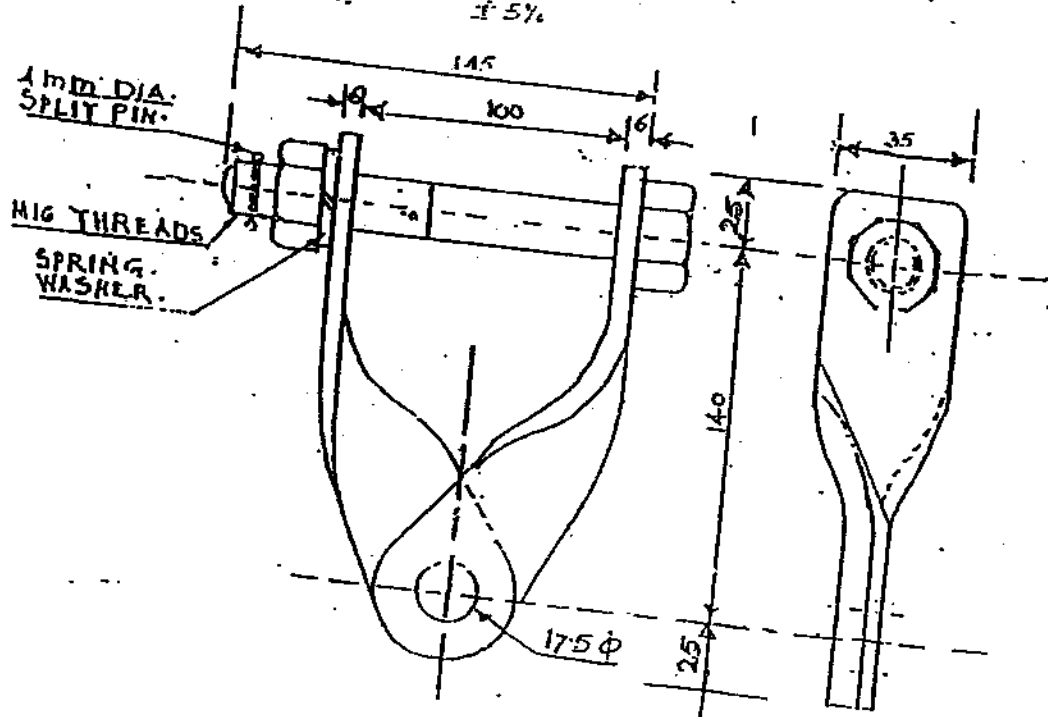
AB/10/11 I (C)

TN. NO

4310

NOTE:-

- ① BILL OF MATERIAL AS PER OUR TENDER NOTIFICATION AND G.T.P.
- ② GENERAL TOLERANCE AS PER IS: 2486
 (PART-1) 1993
 DIMENSIONS
 UPTO AND INCLUDING 35MM TOLERANCE ± 0.7 MM.
 OVER 35MM $\pm 2\%$
 TOLERANCE IN WT. $\pm 5\%$
- ③ TOLERANCE IN WT.



CROSS-ARM STRAPS.

ALL DIMENSIONS ARE IN MM.

JAI PUR VIDYUT VITRAN NIGAM LTD.
 (MATERIAL MANAGEMENT WING)
 CROSS ARM STRAPS FOR 11KV T & C
 AND B & S TYPE HARDWARES.

DRN. BY

AEN

DATE:-

SCALE
N.T.S.

SPO-III

SE (PROC)

JPO/SE (PROC)/SPO-III/

Je